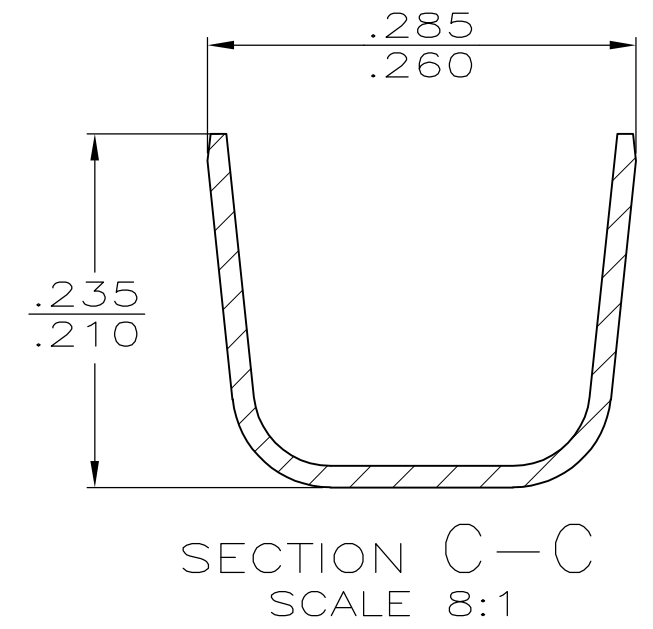
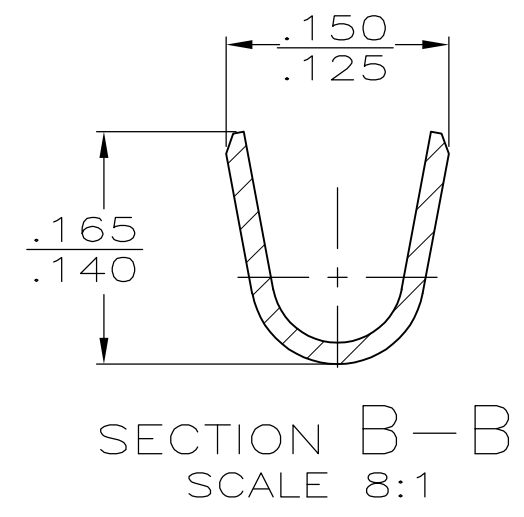
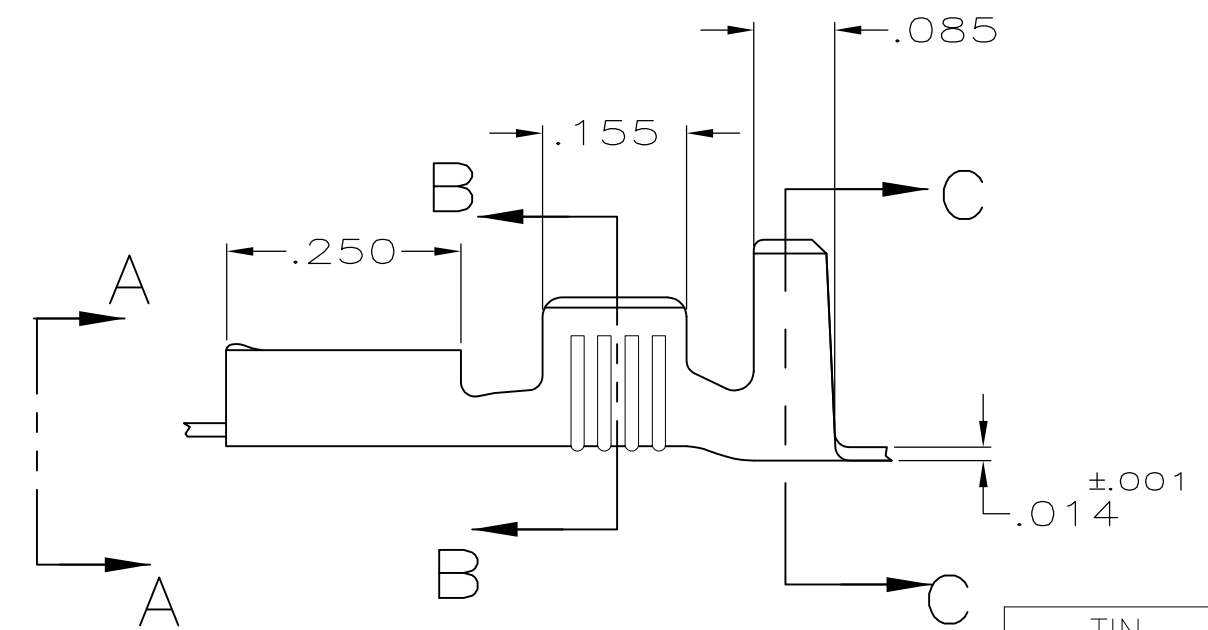
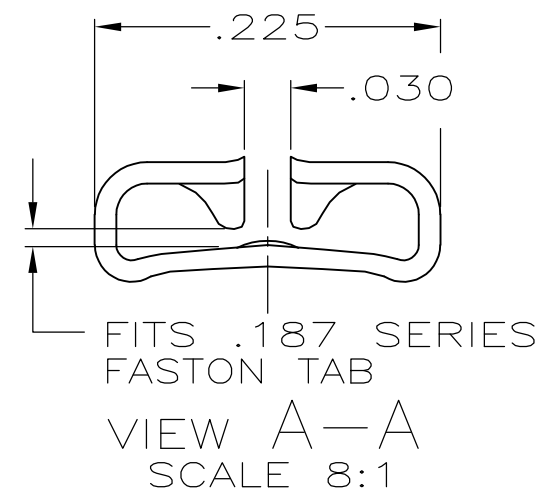
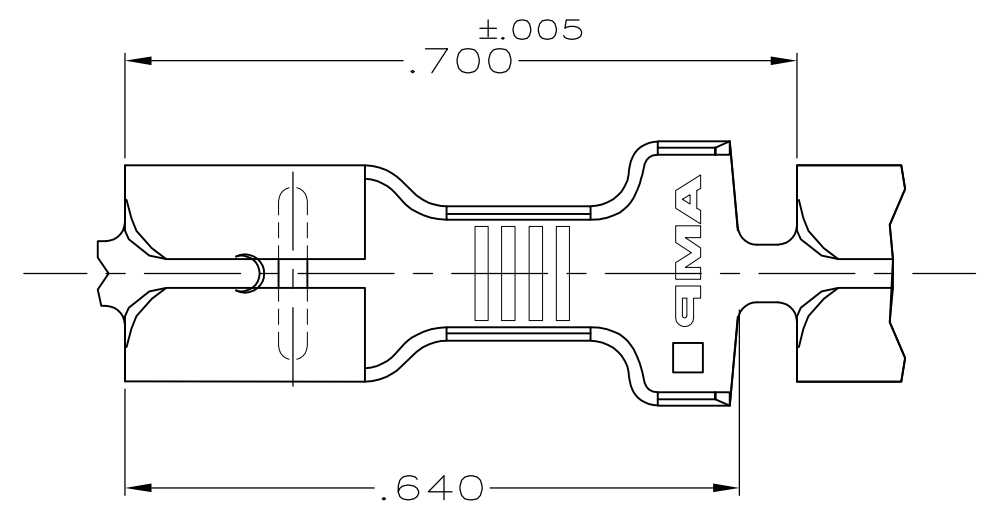


THIS DRAWING IS UNPUBLISHED. RELEASED FOR PUBLICATION  
 © COPYRIGHT - By - ALL RIGHTS RESERVED.

LOC	DIST	REVISIONS					
AF	50	P	LTR	DESCRIPTION	DATE	DWN	APVD
		J		REVISED PER ECR-12-013445	27OCT12	KH	PD

1 CONTINUOUS STRIP ON REELS.



TIN	.180 - .230	18-14 OR	.020	60742-2		
-	OR (2) .110 MAX	(2) #16'S		60742-1		
FINISH	INSUL RANGE	WIRE SIZE	MATING TAB THK ± .001	PART NO		
THIS DRAWING IS A CONTROLLED DOCUMENT.		DWN JR RUTH 3/14/90	<b>TE Connectivity</b> RECEPTACLE, FASTON™ .187 SERIES			
DIMENSIONS: INCHES		CHK MS FEHER 3/14/90				
TOLERANCES UNLESS OTHERWISE SPECIFIED:		APVD C MEYERS 3/14/90				
0 PLC ± - 1 PLC ± - 2 PLC ± - 3 PLC ± .010 4 PLC ± - ANGLES ± -		PRODUCT SPEC -				
MATERIAL	FINISH	APPLICATION SPEC -	SIZE	CAGE CODE	DRAWING NO	RESTRICTED TO
BRASS	SEE TABLE	WEIGHT -	A3	00779	C-60742	-
CUSTOMER DRAWING			SCALE	SHEET	REV	
			5:1	1 OF 1	J	